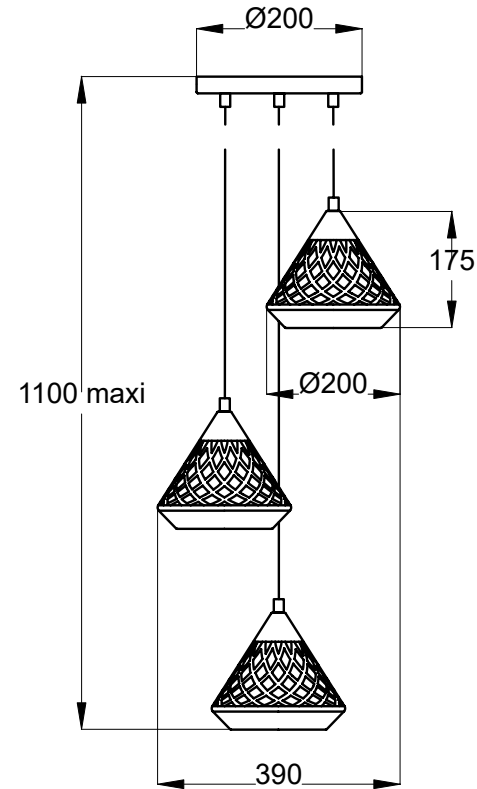


CONE 3 S

Pendant



The successful balance
of Design



The subtle balance created by the different heights of its three beautifully openwork cones gives an assumed charm to this suspension. Product delivered without bulb.

• TECHNICAL SPECIFICATIONS

Light source _____ 3xE14
Power _____ 12W maxi
Material _____ Steel
Color _____ ●

• LOGISTIC SPECIFICATIONS

Packaging _____ 1 package
Net weight _____ 1,25 kg
Gross weight _____ 2,19 kg
Master box _____ 4 pieces
Master Gross weight _____ 9,85 kg
Master Package dimensions _____ 56x45,5x57

• COMMERCIAL SPECIFICATIONS

Weight _____ 2,19 kg
Warranty _____ 2 years
Code EAN _____ ● 3131130365763



ALUMINOR

L U M I N A I R E S

852 CD 15, 06390 CONTES, FRANCE // +33 (0)4 93 91 60 10
contact@aluminor.fr // www.aluminor.fr